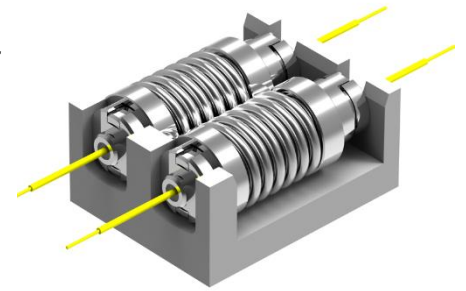


In order to ensure the highest technical performance and to provide an optimum solution for high density packaging on-board application, OECE has developed the Ceramic PM Mini connection.

It can be used to replace splices, improving the modularity at a low height budget impact.

PM Mini Connector is based on $\varnothing 1.25\text{mm}$ ferrules and are designed to operate with multimode and single mode fibers, 0° PC as well as 8° APC polished. The PM Mini connector is also available as PM (Polarization Maintaining) interface.

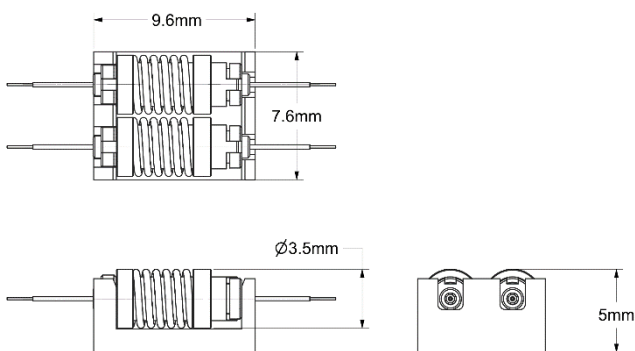


Features

- Minimum space requirement (footprint of 10mm*8mm for 2 ports)
- Available in PC, APC and PM termination
- Insertion Loss: Low loss grade, 0.35dB MAX
- Easy installation and assembly tool is available.
- Reflowable: SiP side should be reflowable, 5minutes @260 °C

Parameter	Specification
Fiber core pitch	250 μm or Customized configurations
Optical fiber type	SM/MM/PM 1310nm 1550nm or Customized configurations
Polishing Angle	+8°, -8°, 0° or Customized configurations
IL (dB)	≤ 0.3
RL (dB)	≥ 55
PER (dB)	≥ 23
ROHS&REACH	Conforms
Storage/ operating temperature	-40~+85 °C

Dimensions



Assembling Process

